

D-Size 1 3/8" Powerfast Tee Selection Matrix

				13	14	15
				Integral D-Size Connector Drop	Integral A-Size Connector Drop	Integral M16 Connector Drop
Pins	Drop AWG	Trunk Current Rating	Drop Current Rating			
3	10	30 Amps	30 Amps	GSDM/2GKDM 30		
	14	30 Amps	15 Amps		GSDM/GKDM/RKM 34	GSDM/GKDM/BKM 34
4	10	25 Amps	25 Amps	GSDM/2GKDM 40		
	14	25 Amps	15 Amps		GSDM/GKDM/RKM 44	GSDM/GKDM/BKM 44

				16	17	18	19
				Cable Drop	Cable Drop With D-Size Power Connector	Cable Drop With A-Size Power Connector	Cable Drop With M16 Power Connector
Pins	Drop AWG	Trunk Current Rating	Drop Current Rating	TC-ER STOOW	TC-ER STOOW	TC-ER STOOW	TC-ER STOOW
3	10	30 Amps	30 Amps	GSDM/GKDM/T30-*	GSDM/2GKDM 30-*		
	12	30 Amps	25 Amps	GSDM/GKDM/T32-*	GSDM/2GKDM 32-*		
	14	30 Amps	18 Amps	GSDM/GKDM/T34-*	GSDM/2GKDM 34-*	GSDM/GKDM/RKM 34-*	GSDM/GKDM/BKM 34-*
4	10	25 Amps	25 Amps	GSDM/GKDM/T40-*	GSDM/2GKDM 40-*		
	12	25 Amps	20 Amps	GSDM/GKDM/T42-*	GSDM/2GKDM 42-*		
	14	25 Amps	15 Amps	GSDM/GKDM/T44-*	GSDM/2GKDM 44-*	GSDM/GKDM/RKM 44-*	GSDM/GKDM/BKM 44-*

Pins	Drop AWG	Trunk Current Rating	Drop Current Rating	TC-ER	TC-ER	TC-ER	TC-ER
3	10	30 Amps	30 Amps	GSDM/GKDM/T30-*/S4000	GSDM/2GKDM 30-*/S4000		
	12	30 Amps	25 Amps	GSDM/GKDM/T32-*/S4000	GSDM/2GKDM 32-*/S4000		
	14	30 Amps	18 Amps	GSDM/GKDM/T34-*/S4000	GSDM/2GKDM 34-*/S4000	GSDM/GKDM/RKM 34-*/S4000†	GSDM/GKDM/BKM 34-*/S4000†
4	10	25 Amps	25 Amps	GSDM/GKDM/T40-*/S4000	GSDM/2GKDM 40-*/S4000		
	12	25 Amps	20 Amps	GSDM/GKDM/T42-*/S4000	GSDM/2GKDM 42-*/S4000		
	14	25 Amps	15 Amps	GSDM/GKDM/T44-*/S4000	GSDM/2GKDM 44-*/S4000	GSDM/GKDM/RKM 44-*/S4000	GSDM/GKDM/BKM 44-*/S4000

See page 19-20 for dimensional drawings.

* Length in meters.

† Drop current rating of 15 amps.

Note: Standard coupling nut material is nickel plated brass. Consult Part Number Key (page 11) for anodized aluminum and 316 stainless steel options.




We reserve the right to make technical alterations without prior notice.





D-Size 1 3/8" powerfast

D-Size 1 3/8" powerfast Connectivity



D-Size 1 3/8" Powerfast h-Style Tee Selection Matrix

				20	21	22
						
				Integral D-Size Connector Drop	Integral A-Size Connector Drop	Integral M16 Connector Drop
Pins	Drop AWG	Trunk Current Rating	Drop Current Rating			
3	10	30 Amps	30 Amps	SH-GSDM/2GKDM 30		
	14	30 Amps	15 Amps		SH-GSDM/GKDM/RKM 34-*	SH-GSDM/GKDM/BKM 34
4	10	25 Amps	25 Amps	SH-GSDM/2GKDM 40		
	14	25 Amps	15 Amps		SH-GSDM/GKDM/RKM 44-*	SH-GSDM/GKDM/BKM 44

				23	24	25	26
							
				Cable Drop	Cable Drop With D-Size Power Connector	Cable Drop With A-Size Power Connector	Cable Drop With M16 Power Connector
Pins	Drop AWG	Trunk Current Rating	Drop Current Rating	TC-ER STOOW	TC-ER STOOW	TC-ER STOOW	TC-ER STOOW
3	10	30 Amps	30 Amps	SH-GSDM/GKDM/T30-*	SH-GSDM/2GKDM 30-*		
	12	30 Amps	25 Amps	SH-GSDM/GKDM/T32-*	SH-GSDM/2GKDM 32-*		
	14	30 Amps	18 Amps	SH-GSDM/GKDM/T34-*	SH-GSDM/2GKDM 34-*	SH-GSDM/GKDM/RKM 34-*	
4	10	25 Amps	25 Amps	SH-GSDM/GKDM/T40-*	SH-GSDM/2GKDM 40-*		
	12	25 Amps	20 Amps	SH-GSDM/GKDM/T42-*	SH-GSDM/2GKDM 42-*		
	14	25 Amps	15 Amps	SH-GSDM/GKDM/T44-*	SH-GSDM/2GKDM 44-*	SH-GSDM/GKDM/RKM 44-*	

Pins	Drop AWG	Trunk Current Rating	Drop Current Rating	TC-ER	TC-ER	TC-ER	TC-ER
3	10	30 Amps	30 Amps	SH-GSDM/GKDM/T30-*/S4000	SH-GSDM/2GKDM 30-*/S4000		
	12	30 Amps	25 Amps	SH-GSDM/GKDM/T32-*/S4000	SH-GSDM/2GKDM 32-*/S4000		
	14	30 Amps	18 Amps	SH-GSDM/GKDM/T34-*/S4000	SH-GSDM/2GKDM 34-*/S4000	SH-GSDM/GKDM/RKM 34-*/S4000†	SH-GSDM/GKDM/BKM 34-*/S4000†
4	10	25 Amps	25 Amps	SH-GSDM/GKDM/T40-*/S4000	SH-GSDM/2GKDM 40-*/S4000		
	12	25 Amps	20 Amps	SH-GSDM/GKDM/T42-*/S4000	SH-GSDM/2GKDM 42-*/S4000		
	14	25 Amps	15 Amps	SH-GSDM/GKDM/T44-*/S4000	SH-GSDM/2GKDM 44-*/S4000	SH-GSDM/GKDM/RKM 44-*/S4000	SH-GSDM/GKDM/BKM 44-*/S4000

See page 21-22 for dimensional drawings.

* Length in meters.

† Drop current rating of 15 amps.

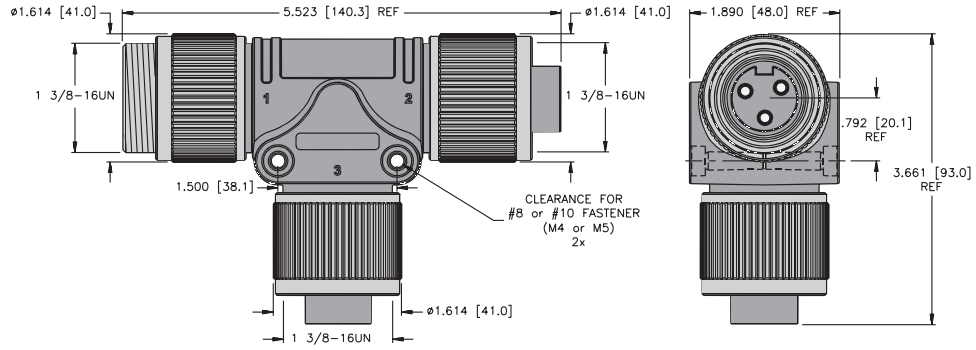
Note: Standard coupling nut material is nickel plated brass. Consult Part Number Key (page 11) for anodized aluminum and 316 stainless steel options.

We reserve the right to make technical alterations without prior notice.

2 and 3-Wire Receptacles, Front Mount, 1/4-18 NPT Threads

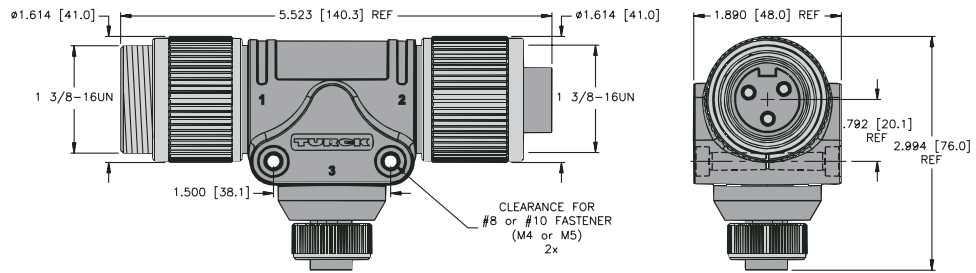
13

**Integral D-Size Power Connector Drop
GSDM/2GKDM..**



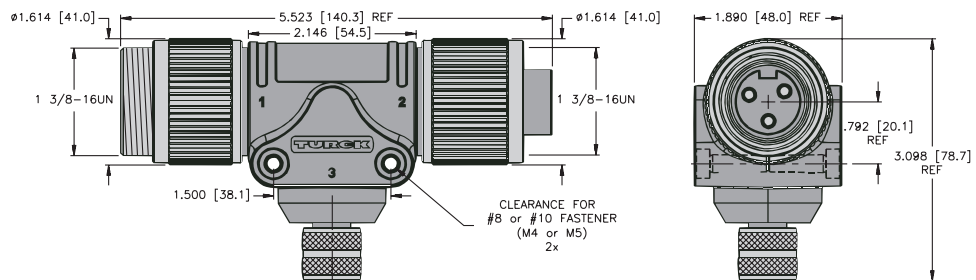
14

**Integral A-Size Power Connector Drop
GSDM/GKDM/RKM..**



15

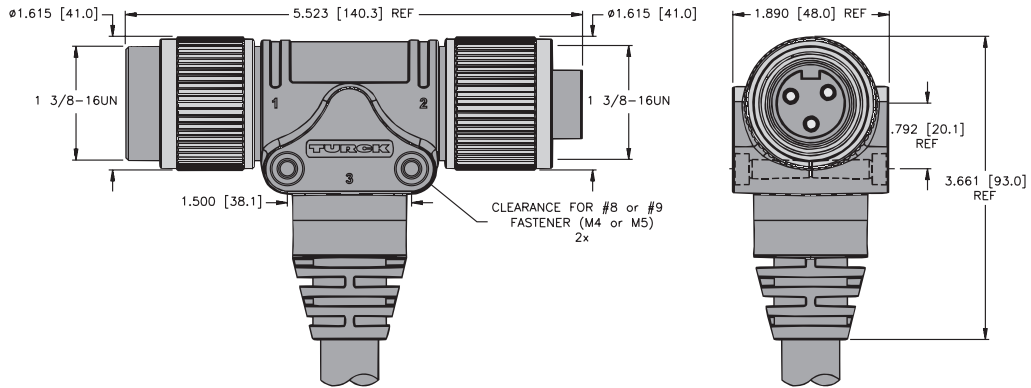
**Integral M16 Power Connector Drop
GSDM/GKDM/BKM..**



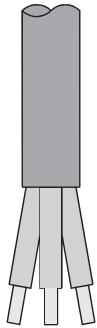
D-Size 1 3/8" powerfast

D-Size 1 3/8" Powerfast Tee Dimensions

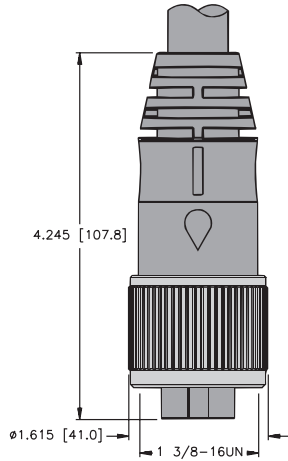
Tee with Cable Drop and Connector Options



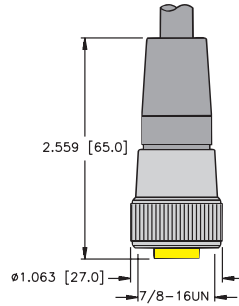
16 Cable Drop
GSDM/GKDM/T..



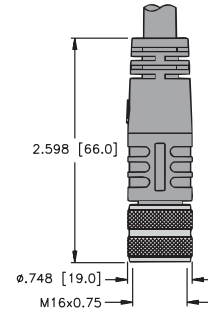
17 D-Size Power Connector
GSDM/2GKDM..



18 A-Size Power Connector
GSDM/GKDM/RKM..



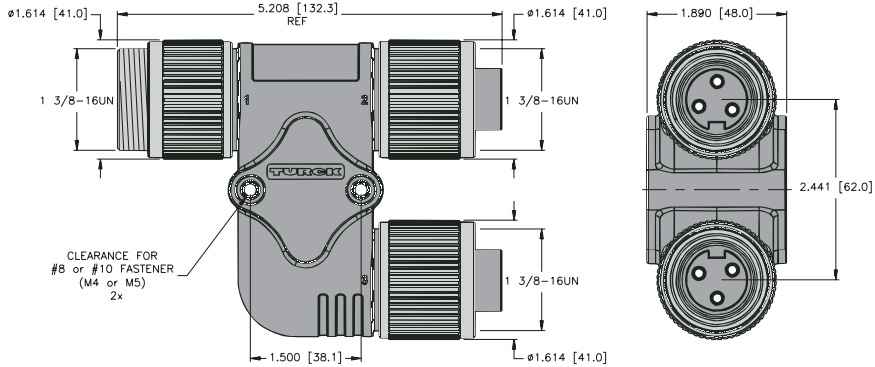
19 M16 Power Connector
GSDM/GKDM/BKM..



D-Size 1 3/8" Powerfast h-Style Tee Dimensions

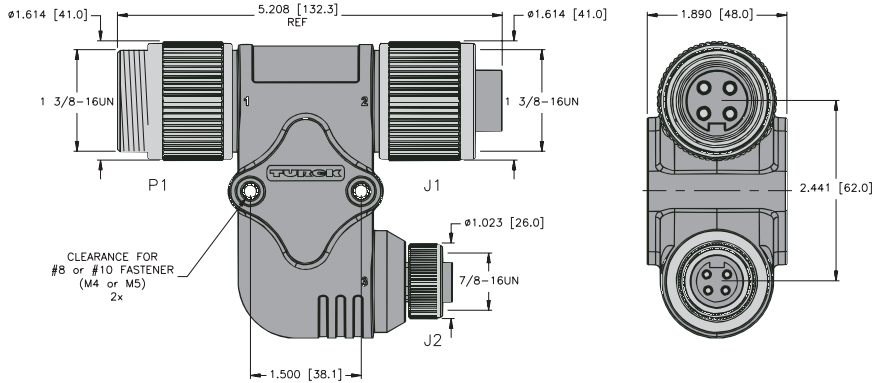
20

**Integral D-Size Power Connector Drop
SH-GSDM/2GKDM..**



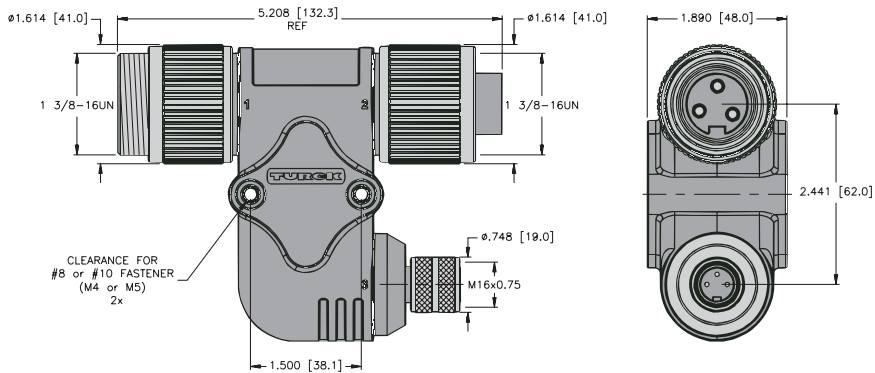
21

**Integral A-Size Power Connector Drop
SH-GSDM/GKDM/RKM..**



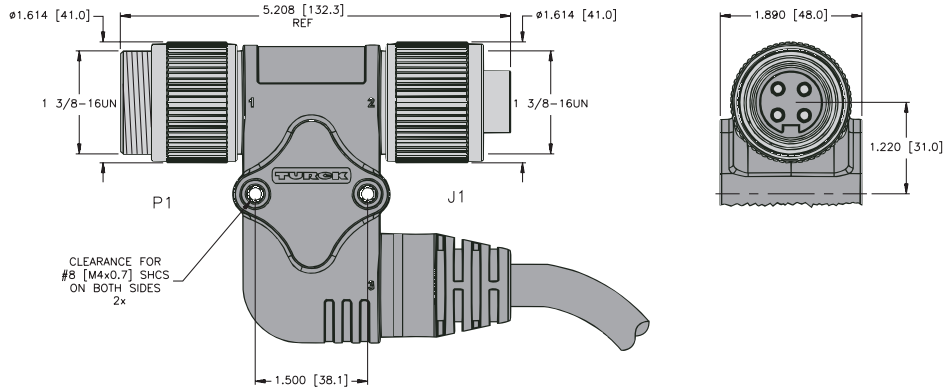
22

**Integral M16 Power Connector Drop
SH-GSDM/GKDM/BKM..**

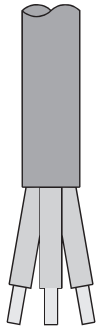


D-Size 1 3/8" powerfast

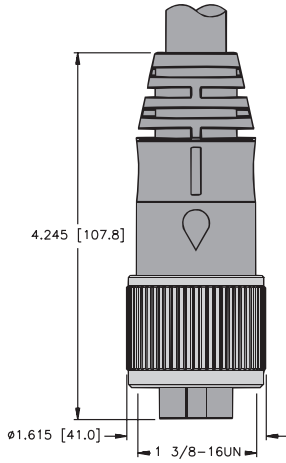
h-Style Tee with Cable Drop and Connector Options



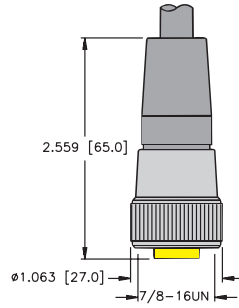
23 Cable Drop
SH-GSDM/GKDM/T



24 D-Size Power Connector
SH-GSDM/2GKDM..



25 A-Size Power Connector
SH-GSDM/GKDM/RKM..



26 M16 Power Connector
SH-GSDM/GKDM/BKM..

